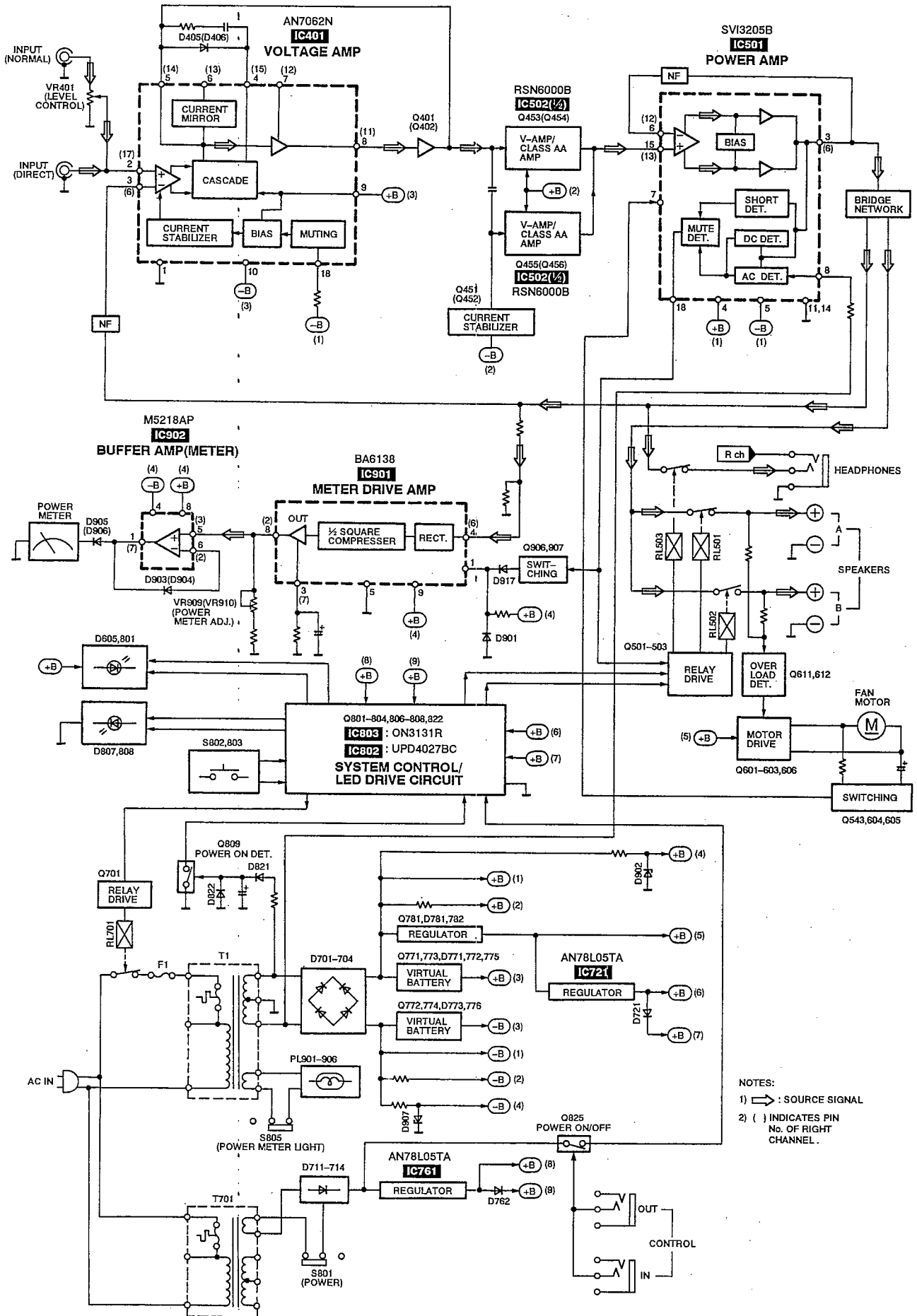


Block Diagram



NOTES:
 1) \Rightarrow : SOURCE SIGNAL
 2) () INDICATES PIN No. OF RIGHT CHANNEL.

■ Replacement Parts List (Electrical)

Notes: *Important safety notice:

Components identified by Δ mark have special characteristics important for safety.

Furthermore, special parts which have purposes of fire-retardant (resistors), high-quality sound (capacitors), low-noise (resistors), etc. are used.

When replacing any of components, be sure to use only manufacturer's specified parts shown in the parts list.

*The parenthesized indications in the Remarks columns specify the areas. (Refer to the cover page for area.)

Parts without these indications can be used for all areas.

* [M] Indicates in Remarks columns parts that are supplied by MESA.

Ref.No.	Part No.	Part Name & Description	Remarks	Ref.No.	Part No.	Part Name & Description	Remarks
		INTEGRATED CIRCUIT (S)		D451	MA165	DIODE	[M]
IC401	AN7062N	IC	[M]	D452	MA4056MTA	DIODE	[M]
IC501	SVI3205B	IC	[M] Δ	D453	MA29WA	DIODE	[M]
IC502	RSN6000A	IC	[M]	D501, 502	MA165	DIODE	[M]
IC721	AN78L05TA	IC	[M] Δ	D503, 504	MA4160M	DIODE	[M] Δ
IC761	AN78L05TA	IC	[M] Δ	D505	MA165	DIODE	[M]
IC802	UPD4027BC	IC	[M]	D506	1SS291TA	DIODE	[M]
IC803	ON3131R	IC	[M]	D601	MA165	DIODE	[M]
IC901	BA6138	IC	[M]	D602	MA4068L	DIODE	[M]
IC902	M5218AP	IC	[M]	D603, 604	MA165	DIODE	[M]
		TRANSISTOR (S)		D605	SLR-305VC	LED	[M]
Q401, 402	2SA1123RSTTA	TRANSISTOR	[M]	D701-704	P300DLF	DIODE	[M] Δ
Q451, 452	2SC2631RSTTA	TRANSISTOR	[M]	D706	MA165	DIODE	[M]
Q453, 454	2SC3311AIRTA	TRANSISTOR	[M]	D711-714	1SR35200TB	DIODE	[M] Δ
Q455, 456	2SA1309AIRTA	TRANSISTOR	[M]	D721	MA165	DIODE	[M]
Q501-503	2SA992EFPPTA	TRANSISTOR	[M]	D762	MA165	DIODE	[M]
Q543	2SA1309AIRTA	TRANSISTOR	[M]	D771, 772	MA4220MTA	DIODE	[M] Δ
Q601, 602	2SC3311AIRTA	TRANSISTOR	[M]	D773	MA4160M	DIODE	[M] Δ
Q603	2SC3940AQSTA	TRANSISTOR	[M]	D775, 776	MA165	DIODE	[M]
Q604-606	2SC3311AIRTA	TRANSISTOR	[M]	D781	MA4160M	DIODE	[M] Δ
Q611, 612	2SC3311AIRTA	TRANSISTOR	[M]	D782	MA165	DIODE	[M]
Q701	2SC3311AIRTA	TRANSISTOR	[M]	D801	SLR-305VC	LED	[M]
Q771	2SK330GRYTA	TRANSISTOR	[M] Δ	D802, 803	MA165	DIODE	[M]
Q772	2SJ105GRYTA	TRANSISTOR	[M] Δ	D806	MA165	DIODE	[M]
Q773	2SC2631RSTTA	TRANSISTOR	[M] Δ	D807, 808	SLR-305VC	LED	[M]
Q774	2SA1123RSTTA	TRANSISTOR	[M] Δ	D809-811	MA165	DIODE	[M]
Q781	2SD2374PQAU	TRANSISTOR	[M] Δ	D821	MA167	DIODE	[M] Δ
Q801, 802	UN4215	TRANSISTOR	[M]	D822-824	MA165	DIODE	[M]
Q803, 804	UN4111	TRANSISTOR	[M]	D901	MA165	DIODE	[M]
Q806, 807	UN4111	TRANSISTOR	[M]	D902	MA4100MTA	DIODE	[M] Δ
Q808	2SA1309AIRTA	TRANSISTOR	[M]	D903-906	MA165	DIODE	[M]
Q809	2SC3311AIRTA	TRANSISTOR	[M]	D907	MA4100MTA	DIODE	[M] Δ
Q822	UN4215	TRANSISTOR	[M]	D911, 912	MA165	DIODE	[M]
Q825	UN4111	TRANSISTOR	[M]	D914	MA165	DIODE	[M]
Q906	2SC3311AIRTA	TRANSISTOR	[M]	D917	MA165	DIODE	[M]
Q907	2SA1309AIRTA	TRANSISTOR	[M]			VARIABLE RESISTOR (S)	
		DIODE (S)		VR401	EUWM3R020A54	V. R	[M]
D401, 402	MA167	DIODE	[M]	VR909, 910	EVNDXAA00B23	V. R	[M]
D403, 404	MA4036MTA	DIODE	[M]			THERMISTOR (S)	
D405, 406	MA165	DIODE	[M]	TH901, 902	ERTD2ZHL104T	THERMISTOR	[M]
						COIL (S)	

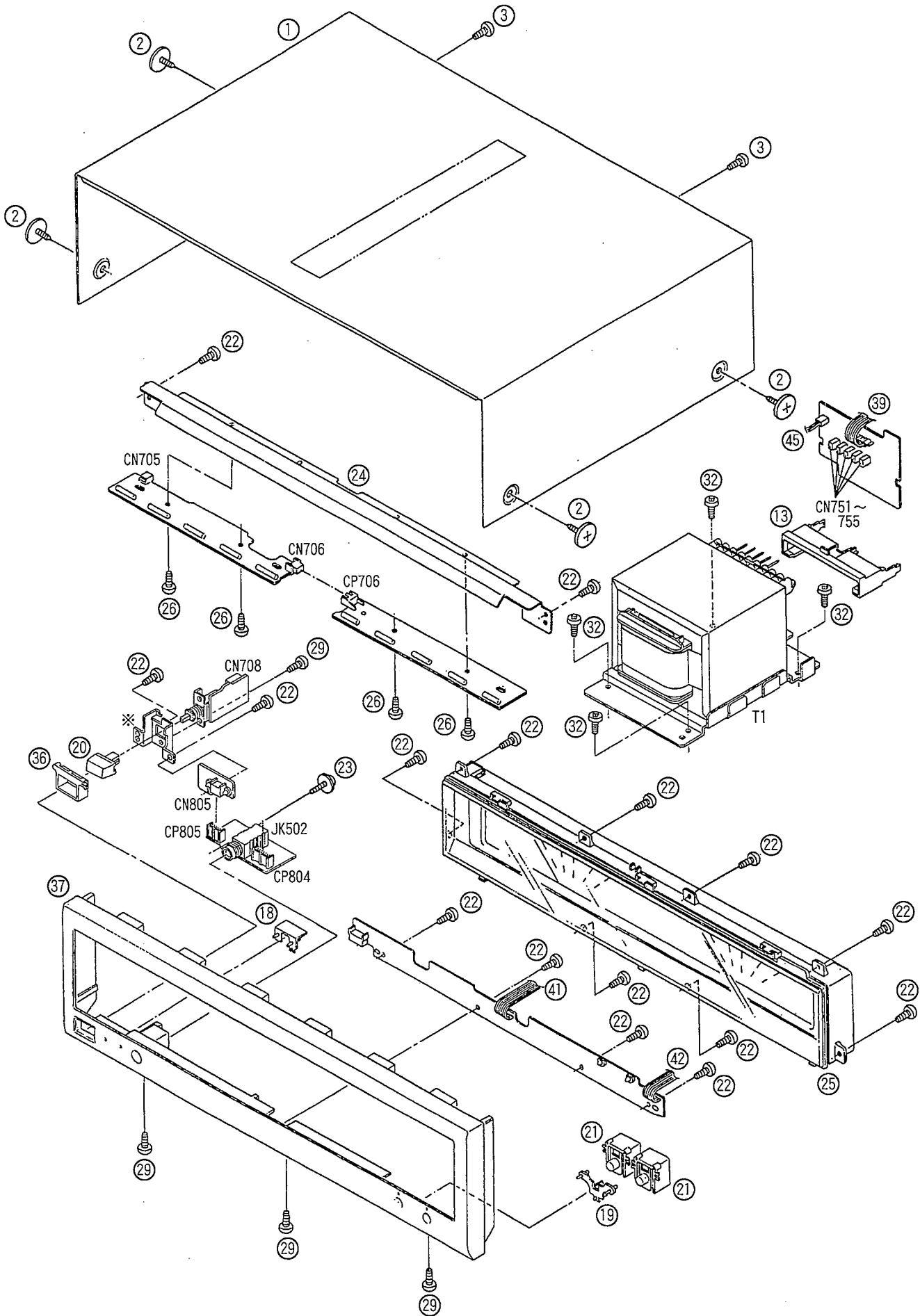
Ref. No.	Part No.	Part Name & Description	Remarks	Ref. No.	Part No.	Part Name & Description	Remarks
						EARTH TERMINAL (S)	
L1	SLQZ650MH49	COIL	[M] △				
L401, 402	RLQA100JT-Y	COIL	[M]	E401	SNE1004-2	EARTH TERMINAL	[M]
L403, 404	BL02RN1R62T2	COIL	[M]	E701	SNE1004-2	EARTH TERMINAL	[M]
L405, 406	RLQA100JT-Y	COIL	[M]			FUSE HOLDER	
L501-504	SLQY18G-10	COIL	[M]				
L791	ELEXT1R0KA9	COIL	[M]				
L797, 798	ELEXT1R0KA9	COIL	[M]	FC1, 2	EYF52BC	FUSE HOLDER	[M]
		POWER TRANSFORMER (S)				RELAY (S)	
T1△	RTP1P5B005-W	POWER TRANSFORMER	[M]	RL501, 502	RSY0013M-0	RELAY	[M] △
T701△	RTP1J5B001	POWER TRANSFORMER	[M]	RL503	RSY0020M-R	RELAY	[M]
		LAMP (S)		RL701	RSY0019M-0	RELAY	[M] △
						JACK (S)	
PL901-910	XAMR131	LAMP	[M]				
		FUSE (S)		JK1	SJS9236-1	AC INLET	[M] △
				JK401	SJF3069A	JACK INPUT	[M]
				JK501	RJH4801M-2	SPEAKER TERMINAL	[M]
F1△	XBA2C31TBO	FUSE, 250V, T3. 15A	[M]	JK502	RJJ63TA01	HEADPHONE JACK	[M]
		SWITCH (ES)		JK601	RJS1A7402-1	CONNECTOR, FAN MOTOR	[M]
				JK801	RJJ33T01	JACK, CONTROL OUT	[M]
				JK802	RJJ33T01	JACK, CONTROL IN	[M]
S801	RSP2B023-A	SW	[M] △				
S802, 803	EVQPTD05Q	SW	[M]				
S805	RSP2B023-A	SW	[M]				
		CONNECTOR (S)					
CN701	RJS1A6606	CONNECTOR (6P)	[M]				
CN702	RJS1A6605	CONNECTOR (5P)	[M]				
CN704	RJP2G18ZA	CONNECTOR (2P)	[M]				
CN705	RJP2G17ZA	CONNECTOR (2P)	[M]				
CN706	SJS50382JQH	SOCKET (3P)	[M]				
CN708	RJS1A6605	CONNECTOR (5P)	[M]				
CN751-755	RJS1A1101T1	CONNECTOR (1P)	[M]				
CN761	SJS305-1	CONNECTOR (3P)	[M]				
CN771-776	RJS1A1101T1	CONNECTOR (1P)	[M]				
CN778	RJS1A1101T1	CONNECTOR (1P)	[M]				
CN802	RJS1A6606	CONNECTOR (6P)	[M]				
CN803	RJP3G18ZA	CONNECTOR (3P)	[M]				
CN804	RJU057W007	CONNECTOR (7P)	[M]				
CN805	RJU057W004	CONNECTOR (4P)	[M]				
CN401A	RJS1A6603	CONNECTOR (3P)	[M]				
CN801A	RJS1A6603	CONNECTOR (3P)	[M]				
CN401B	RJS1A6604	CONNECTOR (4P)	[M]				
CN801B	RJS1A6604	CONNECTOR (4P)	[M]				
CP706	SJT30345JQ	CONNECTOR (3P)	[M]				
CP804	RJT057W007-1	CONNECTOR (7P)	[M]				
CP805	RJT057W004-1	CONNECTOR (4P)	[M]				

■ Replacement Parts List (Resistors and Capacitors)

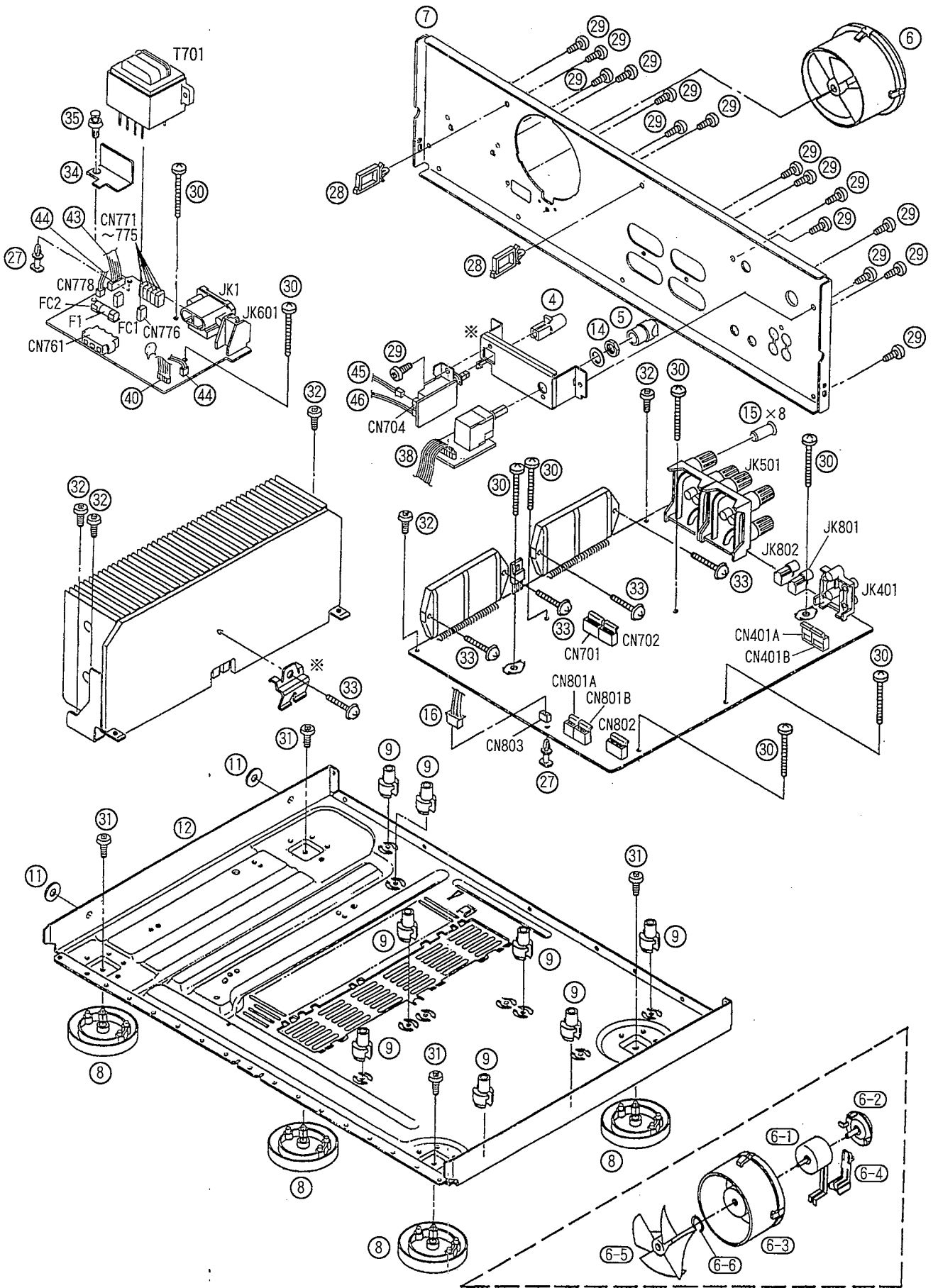
Notes : * Capacity values are in microfarads (uF) unless specified otherwise, P=Pico-farads (pF) F=Farads (F)
 * Resistance values are in ohms, unless specified otherwise, 1K=1,000(OHM) , 1M=1,000k(OHM)

Ref. No.	Part No.	Values & Remarks	Ref. No.	Part No.	Values & Remarks	Ref. No.	Part No.	Values & Remarks
		RESISTORS	R608	ERDS2FJ223	1/4W 22K [M]	R916	ERDS2FJ104	1/4W 100K [M]
R401, 402	ERDS2FJ122	1/4W 1.2K [M]	R609	ERDS2FJ332	1/4W 3.3K [M]	R921, 922	ERDS2FJ123	1/4W 12K [M]
R403, 404	ERDS2FJ823	1/4W 82K [M]	R610	ERDS2TJ335T	1/4W 3.3M [M]	R923, 924	ERDS2FJ154	1/4W 150K [M]
R405, 406	ERDS2FJ272	1/4W 2.7K [M]	R611	ERDS2FJ473	1/4W 47K [M]	R925, 926	ERDS2FJ223	1/4W 22K [M]
R407, 408	ERDS2FJ823	1/4W 82K [M]	R612	ERDS2FJ153	1/4W 15K [M]	R927, 928	ERDS2FJ102	1/4W 1K [M]
R409, 410	ERDS2FJ222	1/4W 2.2K [M]	R613	ERDS2FJ473	1/4W 47K [M]	R929, 930	ERDS2FJ121	1/4W 120 [M]
R411, 412	ERDS2FJ470	1/4W 47 [M]	R614	ERDS2FJ683	1/4W 68K [M]	R931-936	ERG1SJ681	1W 680 [M]
R437	ERDS2FJ473	1/4W 47K [M]	R615	ERDS2FJ103	1/4W 10K [M]	R947, 948	ERDS2FJ103	1/4W 10K [M]
R457	ERDS2FJ183	1/4W 18K [M]	R616△	ERDS1FJ220	1/2W 22 [M]	R949, 950	ERDS2FJ223	1/4W 22K [M]
R459, 460	ERDS2FJ101	1/4W 100 [M]	R617	ERDS2FJ222	1/4W 2.2K [M]			CAPACITORS
R461-464	ERDS2FJ333	1/4W 33K [M]	R618	ERDS2FJ103	1/4W 10K [M]	C401, 402	ECA1HPXS4R7B	50V 4.7U [M]
R465-468	ERDS2FJ101	1/4W 100 [M]	R621	ERDS2FJ223	1/4W 22K [M]	C403, 404	ECKD1H471KB	50V 470 [M]
R469	ERDS2FJ103	1/4W 10K [M]	R622	ERDS2FJ100	1/4W 10 [M]	C405, 406	ECA1EPXS470B	25V 47U [M]
R470	ERDS2FJ102	1/4W 1K [M]	R623	ERDS2FJ823	1/4W 82K [M]	C407, 408	ECBT1H820KB5	50V 82P [M]
R471, 472	ERDS2FJ561	1/4W 560 [M]	R701△	ERDS2FJ100	1/4W 10 [M]	C409, 410	ECGR2H220J5	500V 22P [M]
R491, 492	ERDS2FJ823	1/4W 82K [M]	R702	ERDS2FJ222	1/4W 2.2K [M]	C413, 414	ECCV2H070D	500V 7P [M]
R501, 502	ERDS2FJ362	1/4W 3.6K [M]	R707, 708	ERDS2FJ6R8	1/4W 6.8 [M]	C415, 416	ECBT1H102KB5	50V 1000P [M]
R503, 504	ERDS2FJ121	1/4W 120 [M]	R721	ERDS2FJ221	1/4W 220 [M]	C426	ECQB1H102JF3	50V 1000P [M]
R505, 506	ERDS2FJ392	1/4W 3.9K [M]	R763	ERDS2FJ221	1/4W 220 [M]	C427	ECQV1H223JZ3	50V 0.022U [M]
R507, 508	ERDS2FJ121	1/4W 120 [M]	R771	ERDS2FJ470	1/4W 47 [M]	C428	ECHR1H103JZ3	50V 0.01U [M]
R513-516	ERDS2FJ100	1/4W 10 [M]	R772	ERDS2FJ121	1/4W 120 [M]	C451, 452	ECKR1H333ZF5	50V 0.033U [M]
R519, 520	ERX1SJ3R3	1W 3.3 [M]	R773	ERDS2FJ332	1/4W 3.3K [M]	C453-456	ECCV2H680K	500V 68P [M]
R521, 522△	ERDS1FJ100	1/2W 10 [M]	R774	ERDS2FJ103	1/4W 10K [M]	C457-460	RCE1HKA3R3BG	50V 3.3 [M]
R527	ERDS2FJ223	1/4W 22K [M]	R775, 776	ERDS2FJ105	1/4W 1M [M]	C461, 462	ECBT1H102KB5	50V 1000P [M]
R528	ERDS2FJ684	1/4W 680K [M]	R781△	ERDS1FJ472	1/2W 4.7K [M]	C463-465	ECBT1H104ZF5	50V 0.1U [M]
R529	ERDS2FJ124	1/4W 120K [M]	R782, 783△	ERDS1FJ560	1/2W 56 [M]	C491, 492	ECKT1H101KB	50V 100P [M]
R530△	ERDS1FJ472	1/2W 4.7K [M]	R801	ERDS2FJ222	1/4W 2.2K [M]	C493, 494	ECBT1H101KB5	50V 100P [M]
R531, 532△	ERDS1FJ100	1/2W 10 [M]	R802	ERDS2FJ562	1/4W 5.6K [M]	C501-504	ECA0JPXS101B	6.3V 100U [M]
R533, 534	ERDS2FJ103	1/4W 10K [M]	R806	ERDS2FJ391	1/4W 390 [M]	C505, 506	ECQV1H473JM3	50V 0.047U [M]
R535	ERDS2FJ562	1/4W 5.6K [M]	R807, 808	ERDS2FJ223	1/4W 22K [M]	C507	ECA1EM101B	25V 100U [M]
R536	ERDS2FJ470	1/4W 47 [M]	R809	ERDS2FJ823	1/4W 82K [M]	C508	ECA1HM470B	50V 47U [M]
R537	ERDS2FJ101	1/4W 100 [M]	R810, 811	ERDS2FJ223	1/4W 22K [M]	C509	ECEA1HN100SB	50V 10U [M]
R544	ERDS2FJ103	1/4W 10K [M]	R812	ERDS2FJ391	1/4W 390 [M]	C511, 512	ECBT1H560J5	50V 56P [M]
R545	ERDS2FJ823	1/4W 82K [M]	R813, 814	ERDS2FJ223	1/4W 22K [M]	C513-518	ECQV1H473JM3	50V 0.047U [M]
R550, 551	ERDS2FJ222	1/4W 2.2K [M]	R817	ERDS2FJ103	1/4W 10K [M]	C519-522	ECQB1H223JF3	50V 0.022U [M]
R555-558	ERG1SJ681	1W 680 [M]	R821	ERDS2FJ103	1/4W 10K [M]	C523, 524	ECBT1H102KB5	50V 1000P [M]
R559	ERG1SJ152	1W 1.5K [M]	R822	ERDS2FJ222	1/4W 2.2K [M]	C525, 526	ECBT1C272KR5	16V 2700P [M]
R560	ERG1SJ182	1W 1.8K [M]	R823	ERDS2FJ562	1/4W 5.6K [M]	C527, 528	ECBT1H181KB5	50V 180P [M]
R561, 562	ERG1SJ151	1W 150 [M]	R824	ERDS2FJ154	1/4W 150K [M]	C533	ECBT1C103NS5	16V 0.01U [M]
R563, 564	ERG1SJ181	1W 180 [M]	R825	ERDS2FJ223	1/4W 22K [M]	C601	ECEA1HKA2R2B	50V 2.2U [M]
R565-570	ERDS2FJ223	1/4W 22K [M]	R826	ERDS2FJ102	1/4W 1K [M]	C602	ECBT1E223ZF	25V 0.022U [M]
R577, 578	ERDS2FJ682	1/4W 6.8K [M]	R854	ERDS2FJ391	1/4W 390 [M]	C603	ECEA0JKA221B	6.3V 220U [M]
R579	ERDS2FJ471	1/4W 470 [M]	R901, 902△	ERDS1FJ472	1/2W 4.7K [M]	C604	RCE1GKA100BG	16V 10U [M]
R601-604	ERDS2FJ223	1/4W 22K [M]	R903, 904	ERDS2FJ271	1/4W 270 [M]	C611	ECEA0JKA221B	6.3V 220U [M]
R605	ERDS2FJ473	1/4W 47K [M]	R905, 906	ERDS2TJ155	1/4W 1.5M [M]	C701, 702△	ECETX1J223XM	63V 22000U [M]
R606	ERDS2FJ104	1/4W 100K [M]	R907, 908	ERDS2FJ682	1/4W 6.8K [M]	C707, 708	ECA1JPXH560E	63V 56U [M]
R607	ERDS2FJ103	1/4W 10K [M]	R909, 910	ERDS2FJ103	1/4W 10K [M]	C709, 710	ECQE2334KFV	V 0.33U [M]
			R915	ERDS2FJ103	1/4W 10K [M]			

■ Cabinet Parts Location



We do not supply the items of the parts marked ※.



■ Replacement Parts List (Cabinet, Accessories and Packing)

Ref. No.	Part No.	Part Name & Description	Remarks
		CABINET PARTS	
1	RKMO219F-K	TOP CABINET	[M]
2	SNE2129-1	SCREW	[M]
3	XTBS3+8JFZ1	SCREW	[M]
4	RGU0609-K	BUTTON, LIGHT	[M]
5	RGW0048	BUTTON, VOLUME	[M]
6	REMO020-1	FAN ASS'Y	[M]
6-1	MDN-4RB4MRC	FAN MOTOR COVER	[M]
6-2	RMQ0208-K	FAN MOTOR	[M]
6-3	RMQ0209-K	FAN CASE	[M]
6-4	RMQ0212-K	FAN TERMINAL	[M]
6-5	SHE232-1	FAN	[M]
6-6	SJS271	SPRING	[M]
7	RGRO227K-AA	REAR PANEL	[M] (E/EG)
7	RGRO227K-BA	REAR PANEL	[M] (EB)
8	RKAO053-A	FOOT	[M]
9	RKQO089-2	P. C. B. SUPPORT	[M]
11	RMGO332-K	RUBBER	[M]
12	RMKO200-3	CHASSIS	[M]
13	RMNO217	HOLDER	[M]
14	RHN90001	NUT	[M]
15	RMR1110-K	COVER	[M]
16	REX0741	CABLE ASS'Y (3P)	[M]
18	RGLO301-Q	PANEL LIGHT A	[M]
19	RGLO302-Q	PANEL LIGHT B	[M]
20	RGU0890-K	BUTTON, POWER	[M]
21	RGU1271-K	BUTTON, SPEAKER	[M]
22	RHD26017	SCREW	[M]
23	RHD26018	SCREW	[M]
24	RMAD869	ANGLE	[M]
25	RSE0006-1	METER ASS'Y	[M]
26	XTBS26+8J	SCREW	[M]
27	SHR8006	SPACER	[M]
28	SHR9814	SPACER	[M]
29	XTBS3+8JFZ1	SCREW	[M]
30	XTB3+20JFZ	SCREW	[M]
31	XTB3+6G	SCREW	[M]
32	XTB3+8JFZ	SCREW	[M]
33	XTW3+15T	SCREW	[M]
34	RMZ0354	COVER	[M]
35	SHR9112	NYLON RIVET	[M]
36	RMR1096-K	BUTTON, SLEEP	[M]
37	RFKGEA1000ME	FRONT PANEL ASS'Y	[M]
38	REZ1006	FLAT CABLE (7P) (W401)	[M]
39	RWJ39064400Q	FLAT CABLE (6P) (W701)	[M]
40	RWJ18054800Q	FLAT CABLE (5P) (W702)	[M]
41	RWJ1807220KX	FLAT CABLE (7P) (W801)	[M]
42	RWJ1806090KX	FLAT CABLE (6P) (W802)	[M]
43	RFKEEA1000EA	FLAT CABLE (5P) (W708)	[M]
44	RFKEEA1000EB	FLAT CABLE (2P) (W709)	[M]
45	RFKEEA1000EC	FLAT CABLE (2P) (W704)	[M]
46	RFKEEA1000ED	FLAT CABLE (2P) (W705)	[M]

Ref. No.	Part No.	Part Name & Description	Remarks
		PACKING MATERIALS	
P1	RPG3548	PACKING CASE	[M] (E)
P1	RPG3549	PACKING CASE	[M] (EB/EG)
P2	RPNO752	PAD	[M]
P3	RPQ0164	PAD	[M]
P4	RPF0139	SHEET	[M]
P5	SPP730	SHEET	[M]
P6	RPH0032	MIRROR SHEET	[M] (EB)
		ACCESSORIES	
A1	RQAD117	WARRANTY CARD	[M]
A2	RQCB0169	SERVICE CENTER LIST	[M]
A3<IA>	RQT4026-E	INSTRUCTION MANUAL	[M] (E)
A3<IB>	RQT4029-R	INSTRUCTION MANUAL	[M] (E)
A3<IC>	RQT4025-B	INSTRUCTION MANUAL	[M] (EB)
A3<ID>	RQT4027-D	INSTRUCTION MANUAL	[M] (EG)
A3<IE>	RQT4028-H	INSTRUCTION MANUAL	[M] (EG)
A4	RJA0019-2K	AC POWER SUPPLY CORD	[M] (E/EG)
A4	RJA0049-K	AC POWER SUPPLY CORD	[M] (EB)
A5	SJP2257T	CORD	[M]

NOTE: The "<IA>, <IB>, <IC>, <ID>, <IE>" marks in Remarks indicate language of instruction manual.
 <IA>: English, Spanish, Swedish
 <IB>: Russian, Polish, Czech
 <IC>: English
 <ID>: German, Italian, French
 <IE>: Dutch, Danish

■ Packaging

